

# INSTRUCTIONS

**FEMCO, Inc.**

WEATHER - BRAKE

2151

FITS

ZETOR 3320, 3340, 4320, 4340, 6320, 6340,  
7320 & 7340

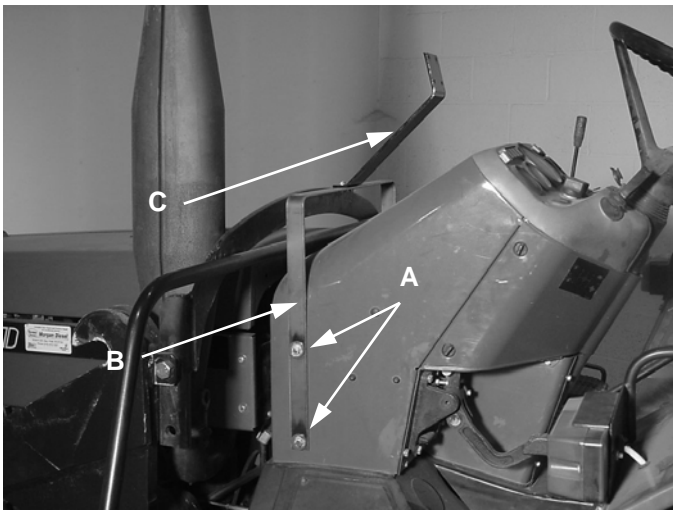


**General Offices**  
1132 W. 1ST STREET  
McPherson, KS 67460  
Phone: (620) 241-3513  
Web: [www.femcomfg.com](http://www.femcomfg.com)

Form No. 286312900 / 03-2004

# IMPORTANT

CAREFULLY STUDY THE PHOTO DIAGRAMS SHOWING THE LOCATION OF EACH PART. LEAVE ALL HARDWARE LOOSE UNTIL INSTRUCTED TO TIGHTEN.



## YOKE BRACKETS

1. Remove bolts at location (A)
2. Attach yoke bracket (B) using bolts removed.
3. Attach yoke bracket upper (C) to yoke bracket using two (2) 1/4" x 3/4" bolts and nuts.
4. Tighten bolts.

## DOOR POST

1. Attach left door post (A) to left deck using existing bolt in deck





## MOTOR COVER

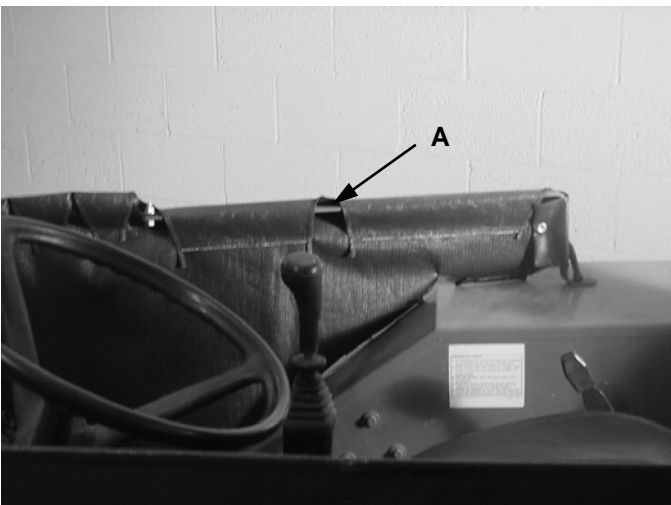
1. Insert 3" hem on left side of motor cover down over door post.
2. Arrange motor cover over top of hood and down sides.

NOTE: Yoke bracket upper is to stick through slot in motor cover.

NOTE: On 3 cylinder models, remove front flap by cutting every fourth thread and remove.

## YOKE

1. Insert yoke (A) into top 3" hem of motor cover
2. Attach yoke to yoke bracket upper using two (2) 1/4" x 3/4" bolts and nuts.
3. Attach yoke to door post using one (1) 1/4" x 1" bolt and nut. Head of bolt to inside, nut outside.



## SIDE ARM

1. Insert side arm (A) into 3" hem of right side of motor cover.
2. Attach side arm to yoke using one (1) 3/8" x 1" bolt and nut.
3. Position rear of side arm on fender so there is no interference and mark location for a 9/32" diameter hole to be drilled.
4. Drill hole and attach rear of side arm to fender using one (1) 1/4" x 1" bolt, nut and fender washer.
5. Tighten all bolts.

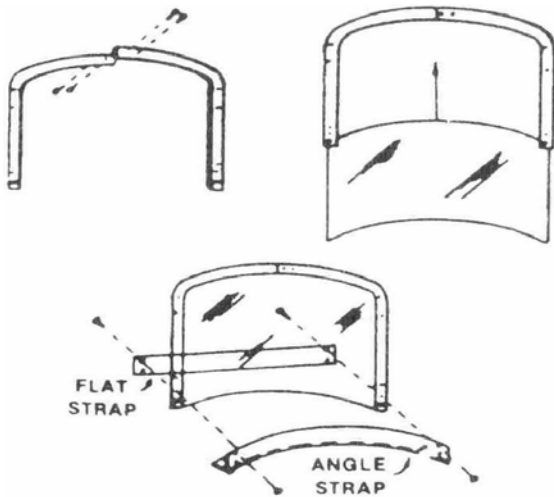
## Dual Lock™ a trademark of 3M Co.

1. Cut plastic Dual Lock™ into 2" lengths.
2. Surface must be cleaned with a mild detergent to assure proper application of Dual Lock™ strips.

**NOTE: Do not peel the backing from the Dual Lock™.**

3. Apply cut Dual Lock™ to all Dual Lock™ sewn to motor cover.
4. Arrange motor cover to tractor. Peel backing from Dual Lock™ and apply to tractor. Repeat this procedure for all Dual Lock™.
5. Tie cloth straps to grommets at bottom of motor cover and then tie to other side of tractor or to tractor

**NOTE: Cloth straps are not to be attached to any moving rotating or heat generating points of tractor. Any excess cloth strap is to be cut off.**



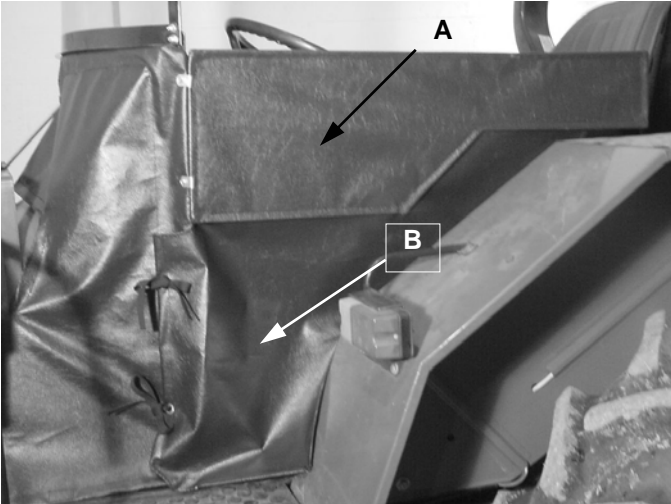
## WINDSHIELD ASSEMBLY

1. Attach left and right window frames using two (2) #10 x 3/4" bolts and nuts.
2. Slide glass into the channel of the windshield.
3. Attach flat strip and angle strip to the windshield using two (2) #10 x 3/4" bolts and nuts.

## WINDSHIELD ATTACHMENT

1. Remove nut from door post and yoke and attach assembled windshield to yoke and door post.
2. Attach other side of windshield to yoke using one (1) 1/4" x 1" bolt and nut
3. Tighten bolts.



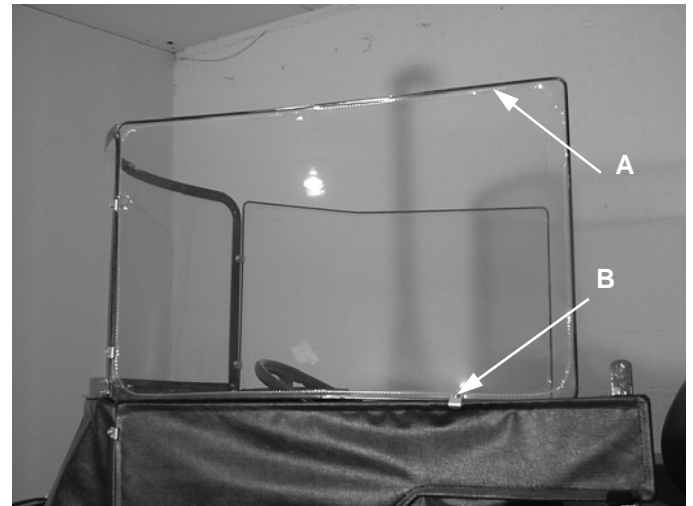


## DOOR

1. Locate holes in door post and cut holes in fabric.
2. Hold door (A) to door post and bottom of windshield.
3. Mark location of holes in door post to door.
4. Cut 5/8" slots next to wire frame of door and attach to door post using two (2) #10 x 3/4" bolt, nuts & clips.
5. Tie door flap (B) to motor cover
6. Tighten bolts.

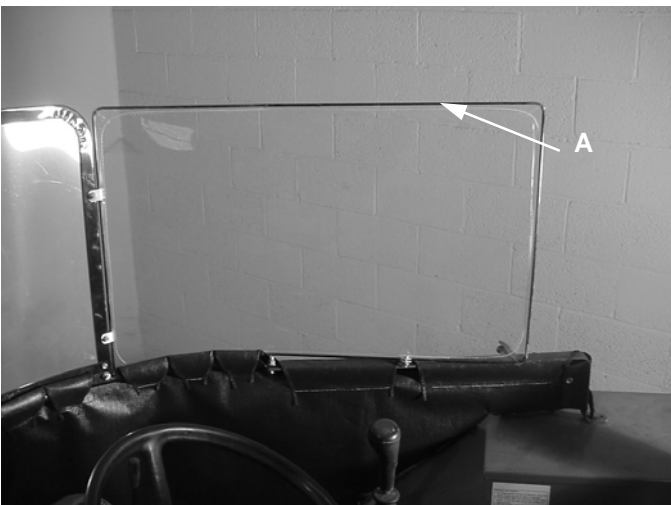
## LEFT WINDOW

1. Mark location of holes in windshield to left window (A).
2. Cut 5/8" slots next to wire frame of left window and attach to windshield using two (2) #10 x 3/4 bolts and nuts.
3. About 6" from back of left window at location (B) cut 5/8" slots in left window and door and attach using one (1) #10 x 3/4" bolt, nut & clip.
4. Tighten bolts.



## RIGHT WINDOW

1. Right window (A) is to be bent to match configuration of yoke and side arm.
2. Using same procedure as left window, attach right window to windshield.
3. Mark location of hole in side arm to bottom of right window and using same procedure as left window, attach to side arm.
4. Tighten bolts.



## DOOR LATCH

1. Assemble door latches as shown using two (2) 1/4" x 3/4" bolts and nuts.
2. Position under bottom rear of door.
3. Door is to set firmly in loop of door latch. Change position up or down with adjustment holes if necessary.
4. Mark location for two (2) 9/32" diameter holes to be drilled into fender and attach using two (2) 1/4" x 1" bolts, nuts & fender washers.
5. Tighten bolts.



## REPLACEMENT PARTS

1.	711230601	Bracket Latch Door
2.	711230701	Latch Door
3.	711389800	Windshield
4.	711821401	Yoke Bracket
5.	711821501	Yoke Bracket Upper
6.	711821301	Side Arm
7.	711821201	Door Post
8.	712101901	Yoke
9.	712181101	Windshield Frame R.H.
10.	712181201	Windshield Frame L.H.
11.	712181301	Bottom Angle
12.	712181401	Windshield Flat
13.	720735000	Side Window
14.	720934201	Motor Cover
15.	720934301	Door

## NOTES